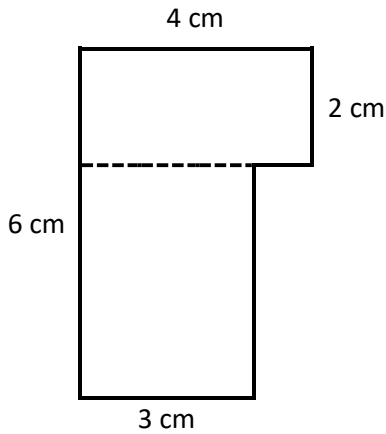
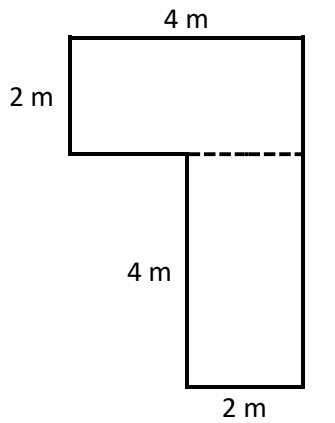


Area and Perimeter of Irregular Shapes

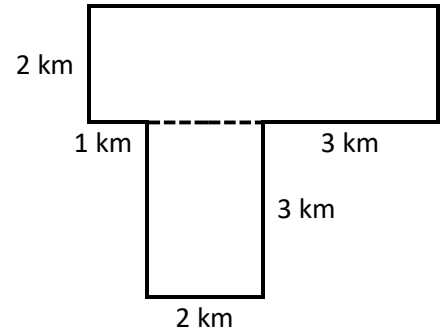
Calculate the area and perimeter of the following shapes.



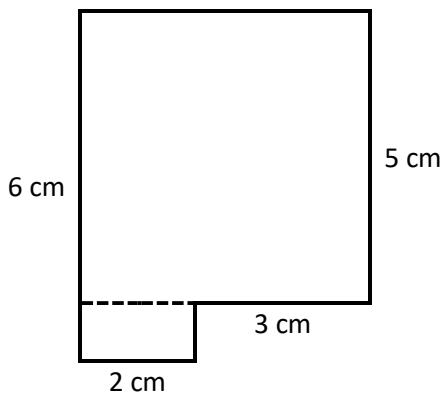
Area= _____ cm²
Perimeter= _____ cm



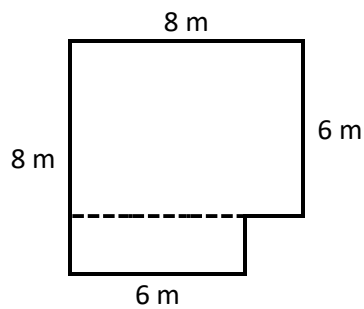
Area= _____ m²
Perimeter= _____ m



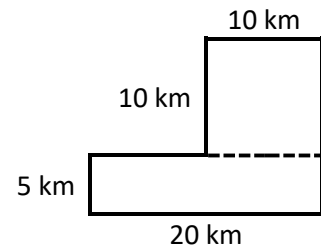
Area= _____ km²
Perimeter= _____ km



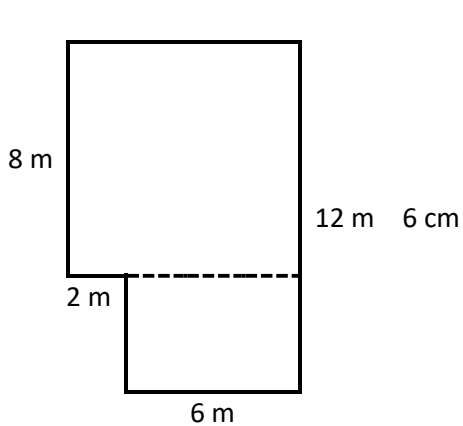
Area= _____ cm²
Perimeter= _____ cm



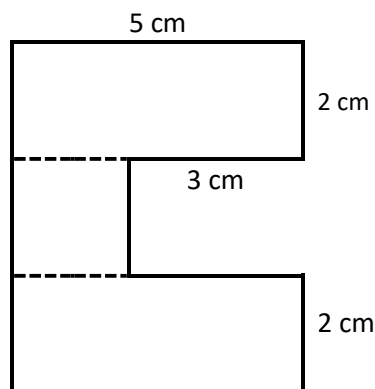
Area= _____ m²
Perimeter= _____ m



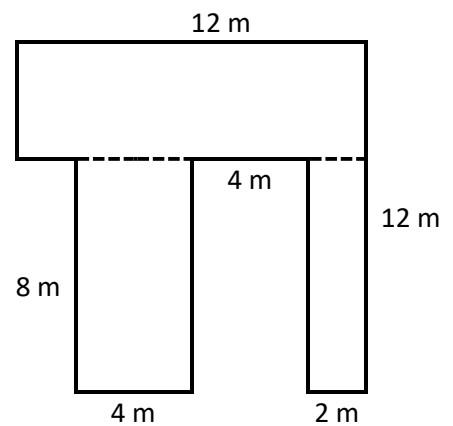
Area= _____ km²
Perimeter= _____ km



Area= _____ m²
Perimeter= _____ m



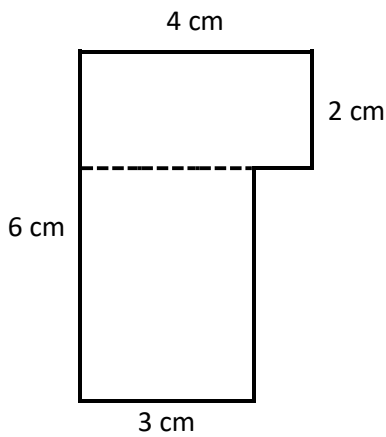
Area= _____ cm²
Perimeter= _____ cm



Area= _____ m²
Perimeter= _____ m

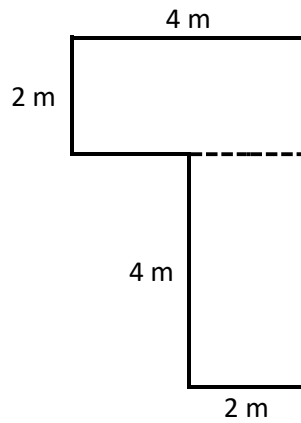
Area and Perimeter of Irregular Shapes **Answers**

Calculate the area and perimeter of the following shapes.



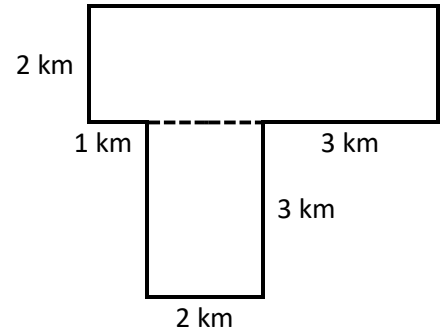
Area= **20** cm²

Perimeter= **20** cm



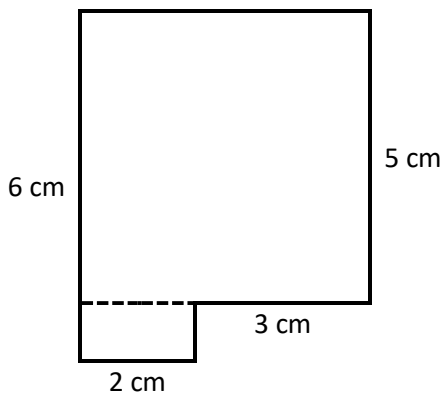
Area= **16** m²

Perimeter= **20** m



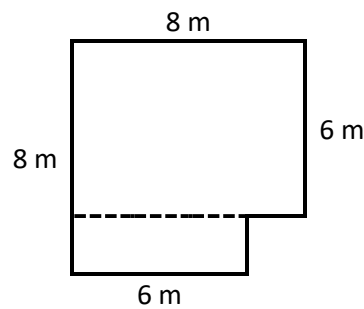
Area= **18** km²

Perimeter= **23** km



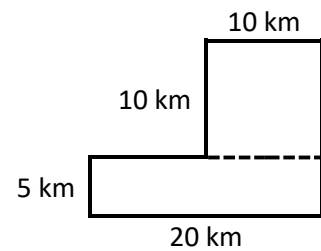
Area= **27** cm²

Perimeter= **22** cm



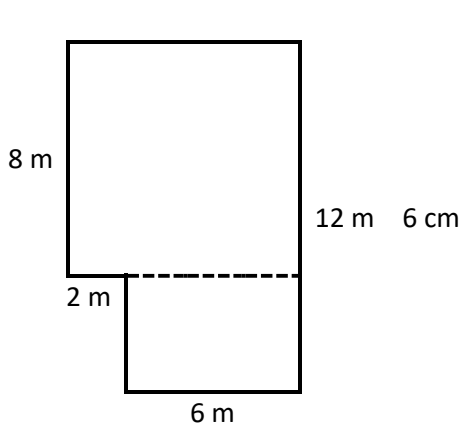
Area= **60** m²

Perimeter= **32** m



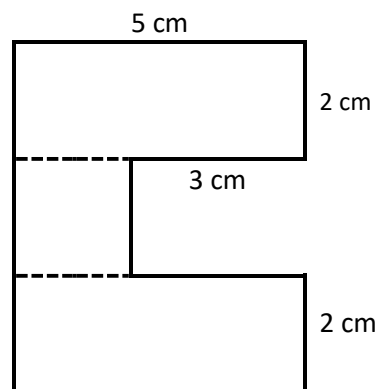
Area= **200** km²

Perimeter= **70** km



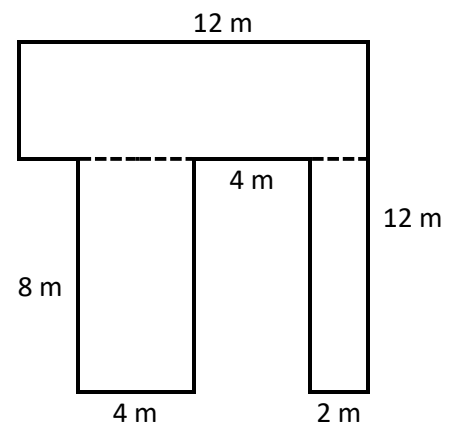
Area= **88** m²

Perimeter= **40** m



Area= **24** cm²

Perimeter= **28** cm



Area= **104** m²

Perimeter= **64** m