

CVC Word Building Fun! ('e' & 'i' focus)

Build words by drawing lines to join the letters.
Draw a picture of each word you build!

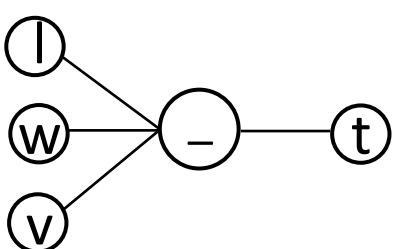
s		n	Word 1
p	e	t	Word 2
h	i	d	
l		p	

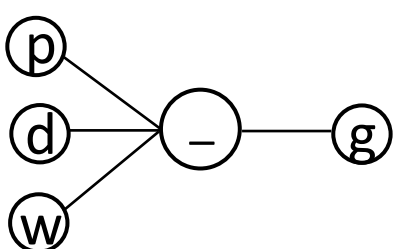
p		p	Word 1
c	i	g	Word 2
b	e	n	
w		b	

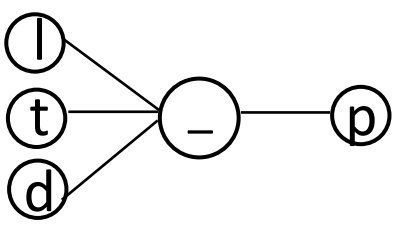
h		s	Word 1
j	i	d	Word 2
f	e	g	
m		t	

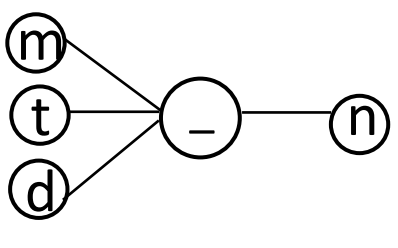
n		t	Word 1
b	e	g	Word 2
s	i	d	
t		p	

Add a vowel in each centre circle so that three words are made. Write each word beside.

l			
w			
v			

p			
d			
w			

l			
t			
d			

m			
t			
d			