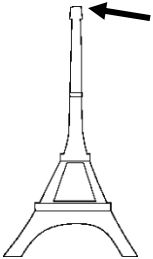
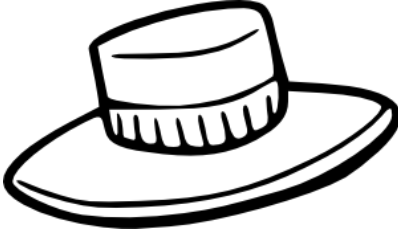


CVC Cut and Paste

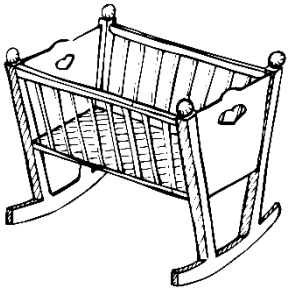
Vowel Mix 1



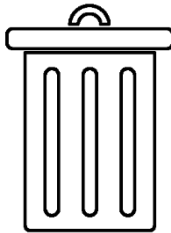
A line drawing of the Eiffel Tower with an arrow pointing to its top. Below the drawing is a row of three empty boxes for labeling.



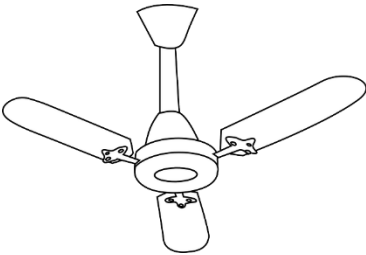
A line drawing of a wide-brimmed hat. Below the drawing is a row of three empty boxes for labeling.



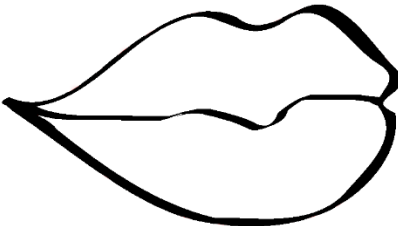
A line drawing of a wooden crib. Below the drawing is a row of three empty boxes for labeling.



A line drawing of a trash can. Below the drawing is a row of three empty boxes for labeling.



A line drawing of a ceiling fan. Below the drawing is a row of three empty boxes for labeling.

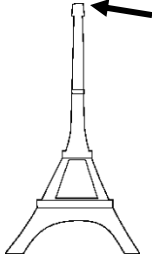


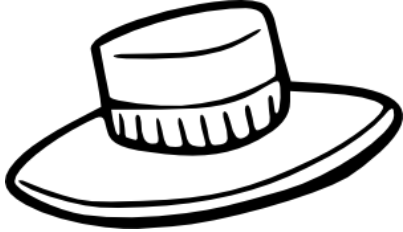
A line drawing of a pair of lips. Below the drawing is a row of three empty boxes for labeling.


a	i	e	i	t	p
a	n	o	p	n	c
o	f	h	t	l	c
p	t	i	b	a	n

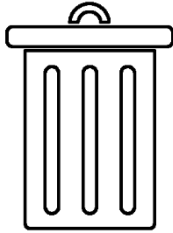
CVC Cut and Paste Answers

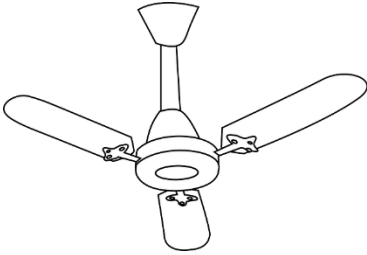
Vowel Mix 1

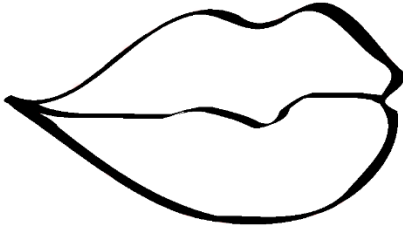
		
t	o	p

		
h	a	t

		
c	o	t

		
b	i	n

		
f	a	n

		
l	i	p

a	i	e	i	t	p
a	n	o	p	n	c
o	f	h	t	l	c
p	t	i	b	a	n