


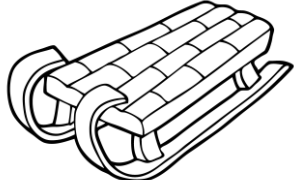
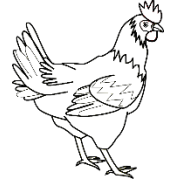
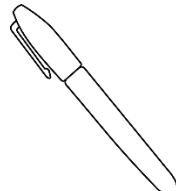




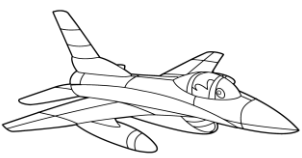


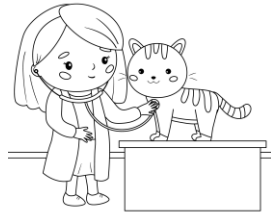
# Rhyming Words

'Short e' Words

The words in each set rhyme. Write them in.

 <p>_ e d</p>	 <p>_ _ _</p>	 <p>_ _ _</p>	 <p>_ _ _ _</p>
--	--	---	--

 <p>_ e n</p>	 <p>_ _ _</p>	 <p>_ _ _</p>	 <p>_ _ _ _</p>
--	--	---	--

 <p>_ e t</p>	 <p>_ _ _</p>	 <p>_ _ _</p>	 <p>_ _ _ _</p>
--	--	---	--




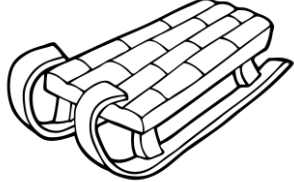
Find each word in the jumble!

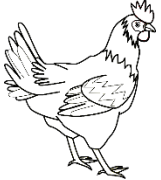
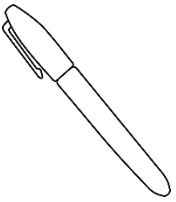


Z	Y	D	E	D	N	H	R	N	V	Y	X
H	V	W	E	D	N	X	V	T	F	E	D
E	R	L	E	N	C	F	E	Q	Z	T	T
N	S	B	V	D	O	W	T	T	S	E	W
V	G	C	C	H	J	P	E	N	N	N	F
Z	S	G	L	I	Y	L	D	J	Q	H	D
J	E	T	L	P	P	L	V	R	C	Y	P

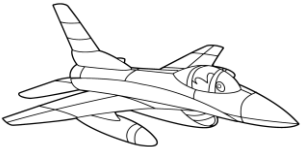



# Rhyming Words **Answers**

'Short e' Words

The words in each set rhyme. Write them in.

 <b>bed</b>	 <b>fed</b>	 <b>wed</b>	 <b>sled</b>
---	---	--	--

 <b>hen</b>	 <b>pen</b>	 <b>ten</b>	 <b>den</b>
---	---	--	---

 <b>jet</b>	 <b>wet</b>	 <b>net</b>	 <b>vet</b>
---	---	--	---