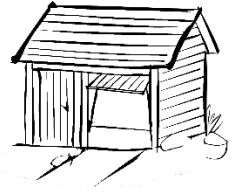
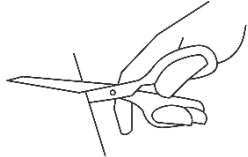

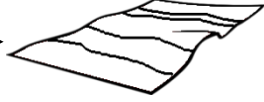


Sound Chains


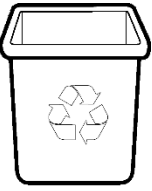
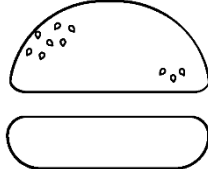

Initial, Middle & Final Sounds

Change one letter at a time to match each picture.



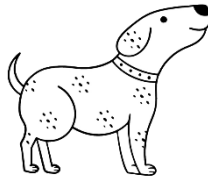

The sound that has changed is circled!

 →  →  → 

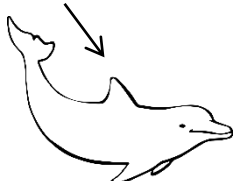
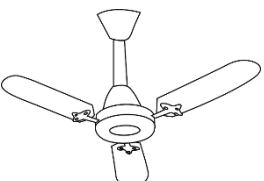

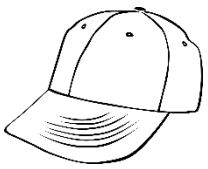
o u t _ _ _ _ o _ _ _ _

 →  →  → 

b i o _ _ o _ o _ o _ _

 →  →  → 

h o g _ o _ o _ _ _ o _

 →  →  → 

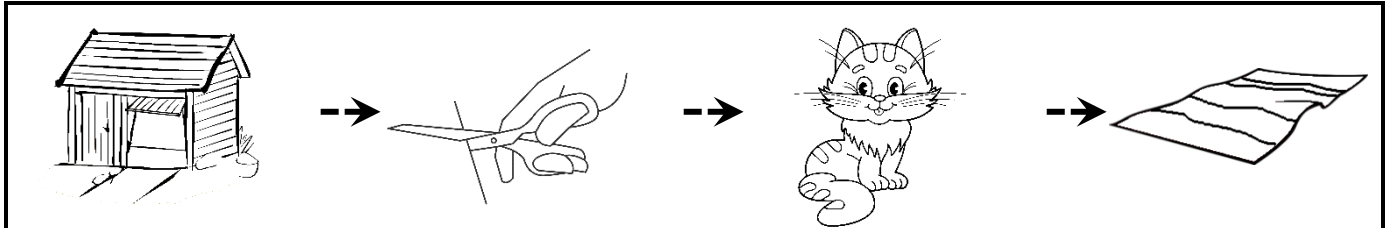
f o n _ o _ o _ _ _ _ o

Sound Chains **Answers**

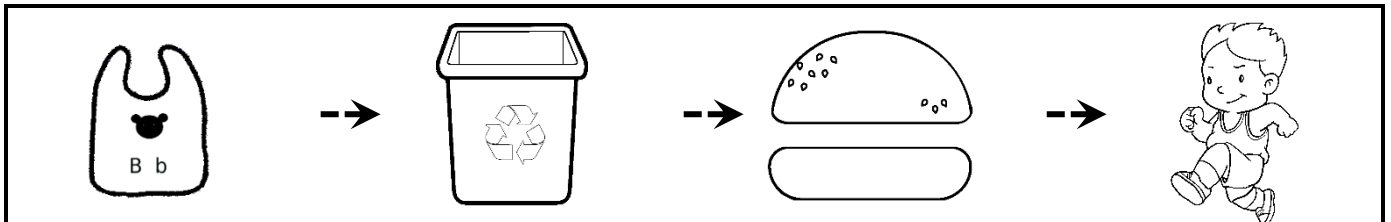
Initial, Middle & Final Sounds

Change one letter at a time to match each picture.

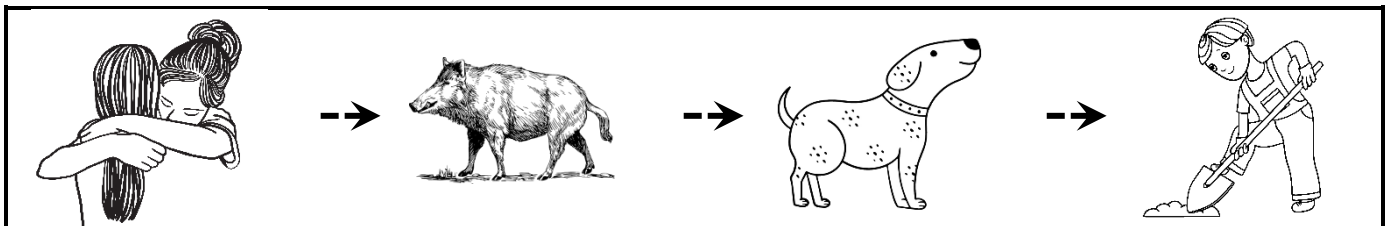
The sound that has changed is circled!



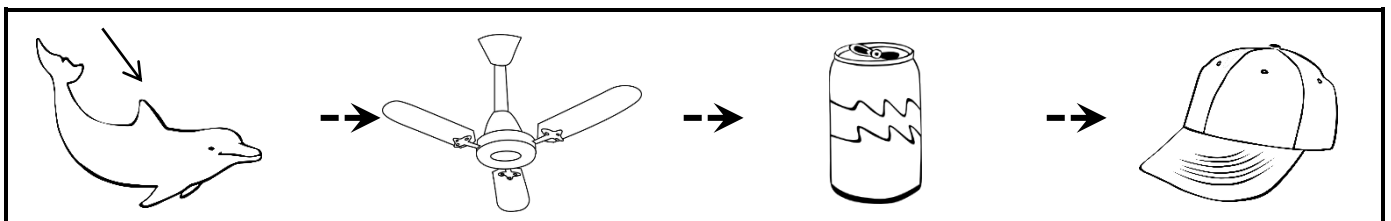
h u t cut cat mat



b i b bin bun run



h u g hog dog dig



f i n fan can cap