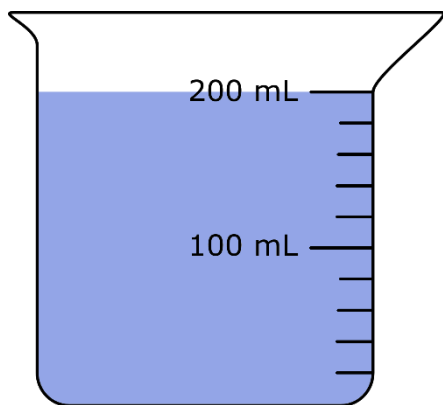


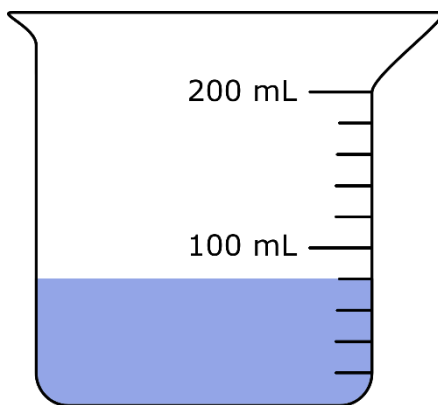
Volume & Capacity

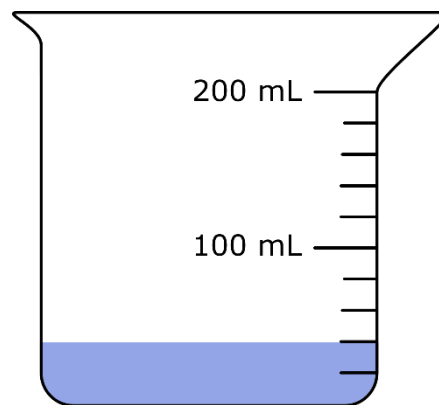
Reading Scales

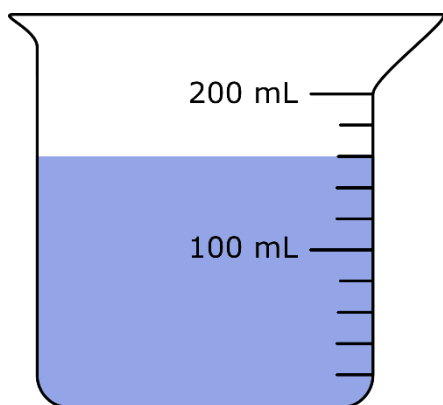
1. Record the volume of water in each container.

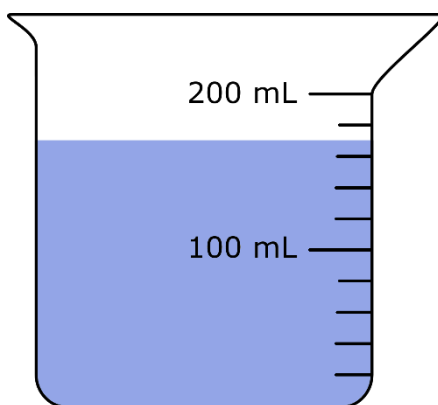


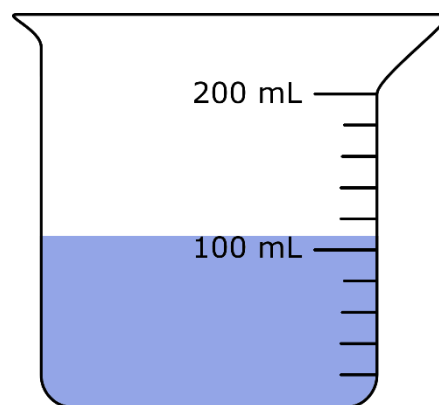
_____ mL



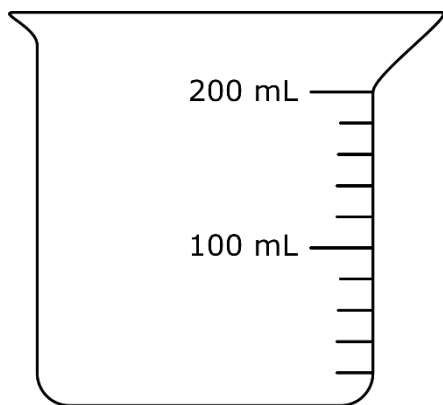




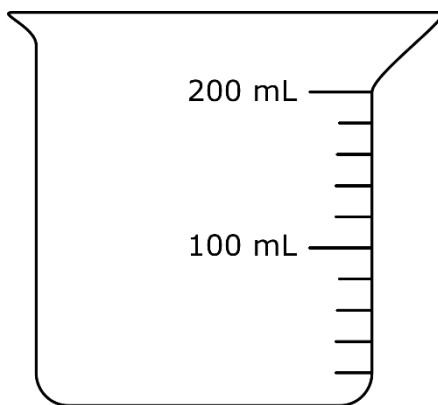




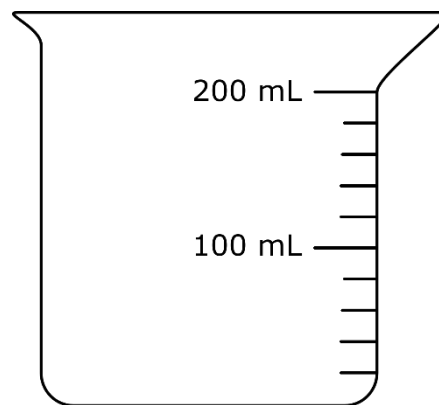
2. Colour in water in each container to match the measurement below.



140 mL

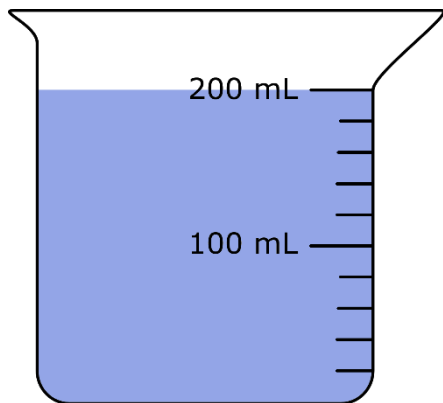


90 mL

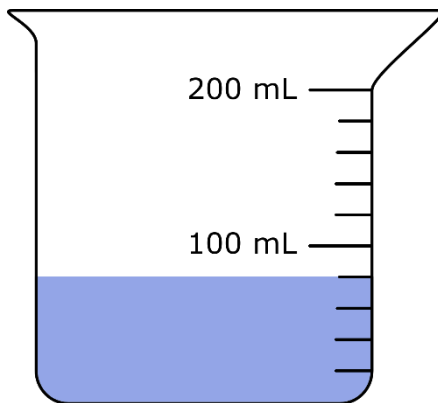


180 mL

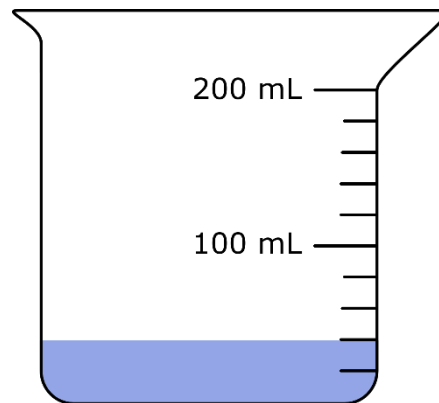
1. Record the volume of water in each container.



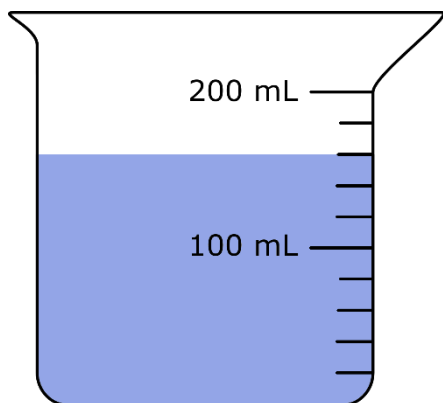
200 mL



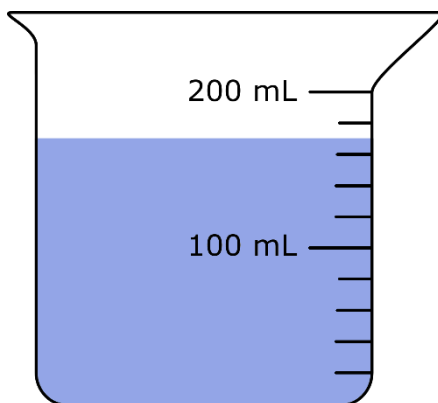
80 mL



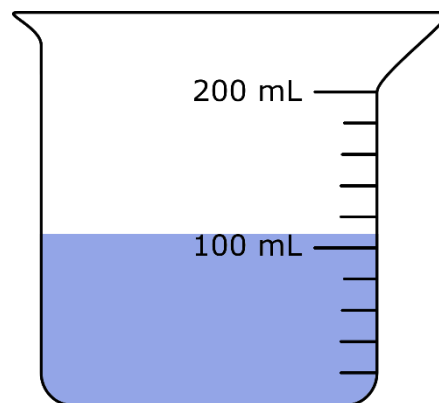
40 mL



160 mL

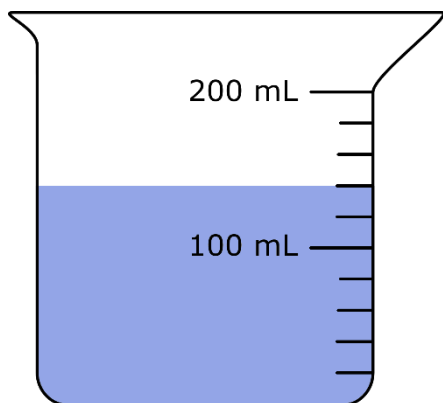


170 mL

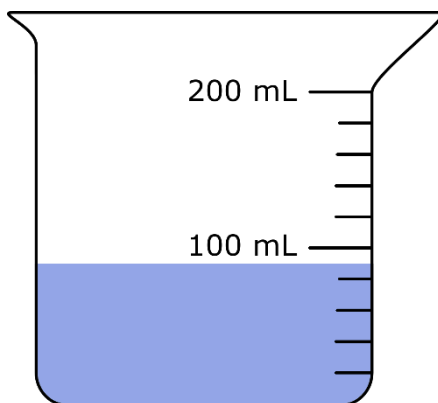


110 mL

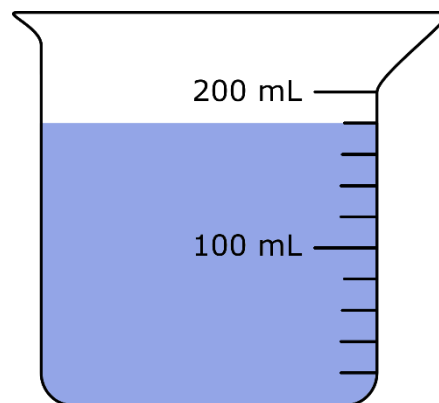
2. Colour in water in each container to match the measurement below.



140 mL



90 mL



180 mL