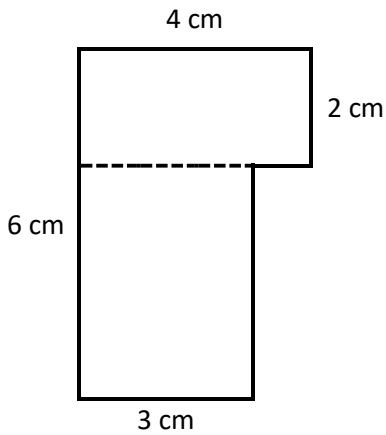


Area and Perimeter

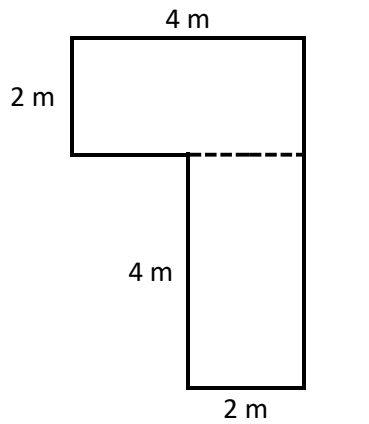
Irregular Shapes

Calculate the area and perimeter of the following shapes.



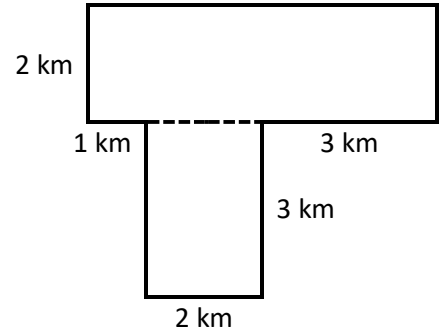
Area= ____ cm²

Perimeter= ____ cm



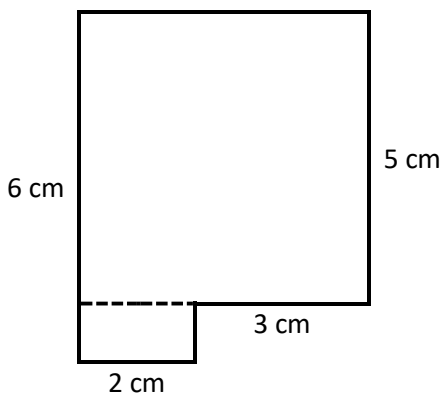
Area= ____ m²

Perimeter= ____ m



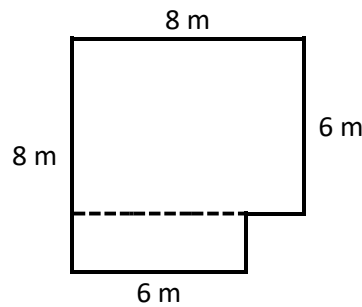
Area= ____ km²

Perimeter= ____ km



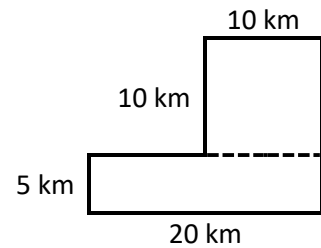
Area= ____ cm²

Perimeter= ____ cm



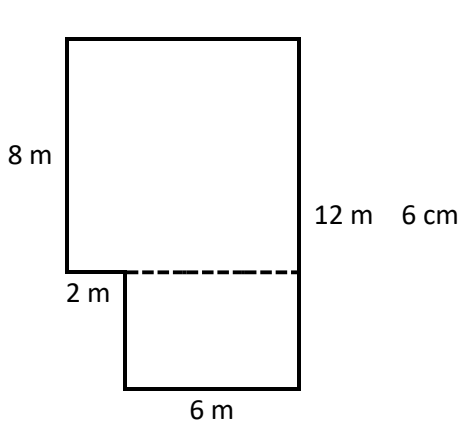
Area= ____ m²

Perimeter= ____ m



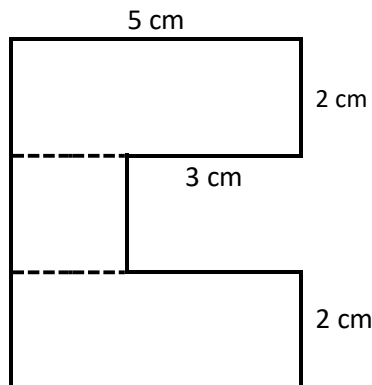
Area= ____ km²

Perimeter= ____ km



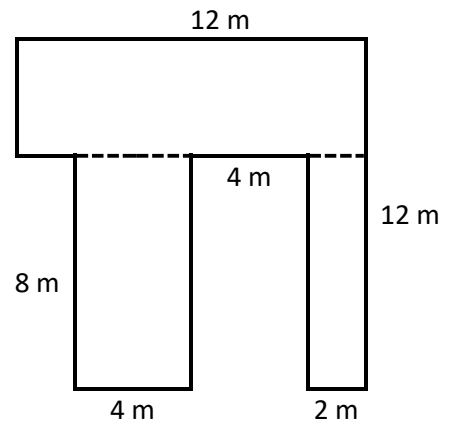
Area= ____ m²

Perimeter= ____ m



Area= ____ cm²

Perimeter= ____ cm



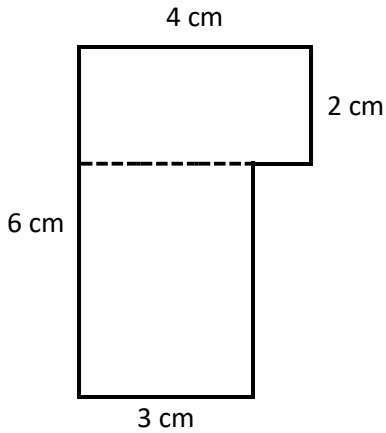
Area= ____ m²

Perimeter= ____ m

Area and Perimeter **Answers**

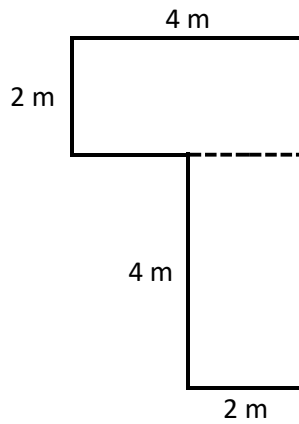
Irregular Shapes

Calculate the area and perimeter of the following shapes.



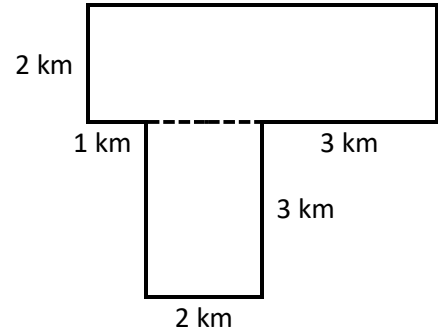
Area= 20 cm²

Perimeter= 20 cm



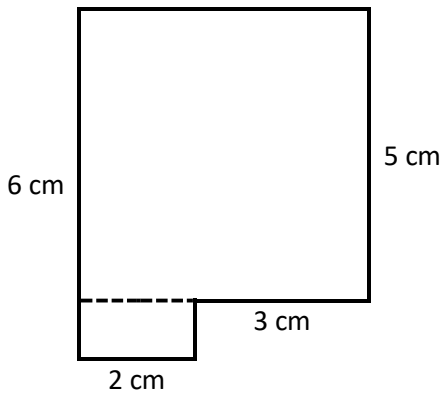
Area= 16 m²

Perimeter= 20 m



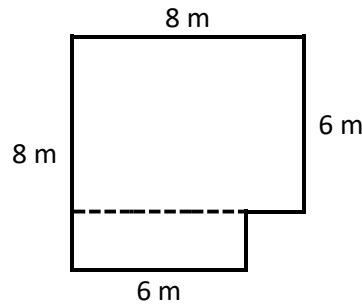
Area= 18 km²

Perimeter= 23 km



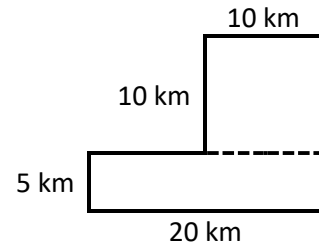
Area= 27 cm²

Perimeter= 22 cm



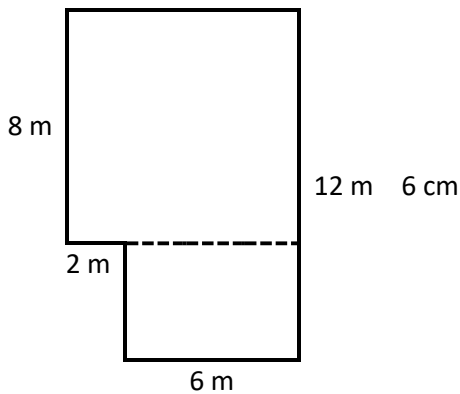
Area= 60 m²

Perimeter= 32 m



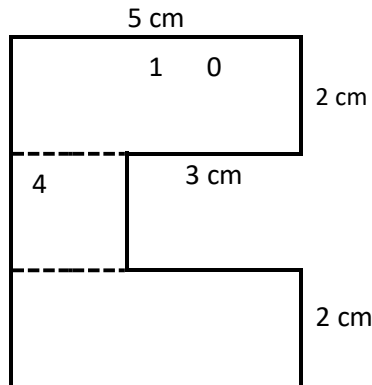
Area= 200 km²

Perimeter= 70 km



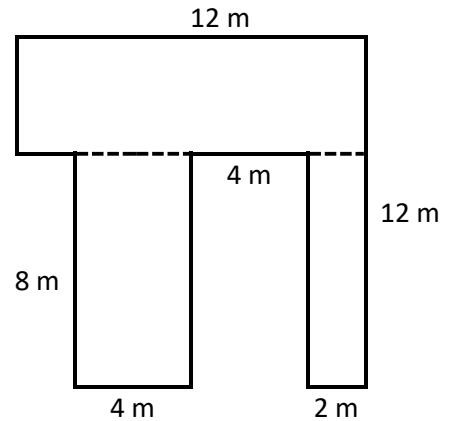
Area= 88 m²

Perimeter= 40 m



Area= 24 cm²

Perimeter= 28 cm



Area= 96 m²

Perimeter= 64 m