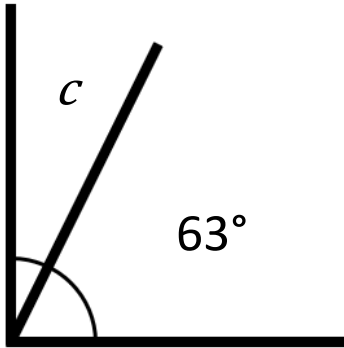


Complementary Angles

Complementary angles are two angles that add up to 90 degrees.

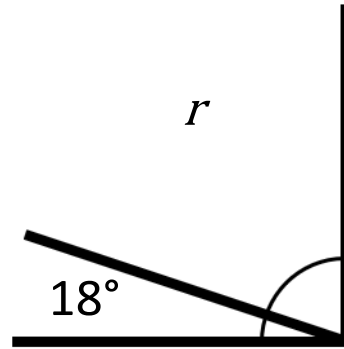
Work out the missing angle in each set of complementary angles.

1)



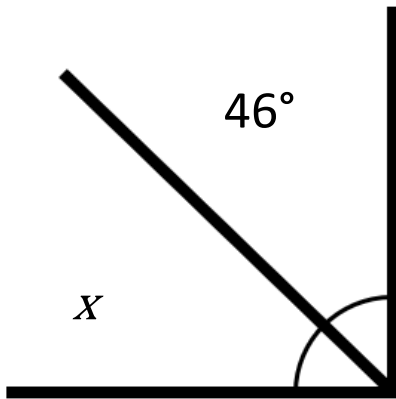
$$c = \underline{\hspace{2cm}}$$

2)



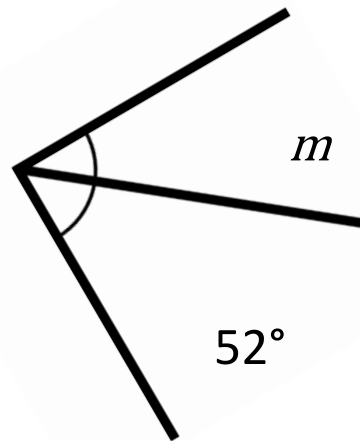
$$r = \underline{\hspace{2cm}}$$

3)



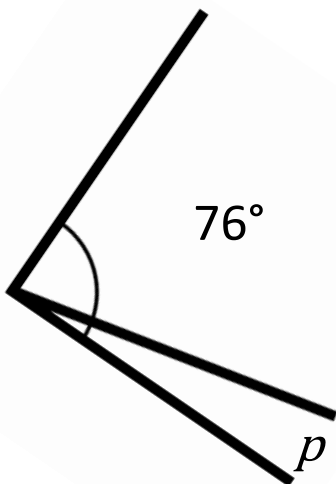
$$x = \underline{\hspace{2cm}}$$

4)



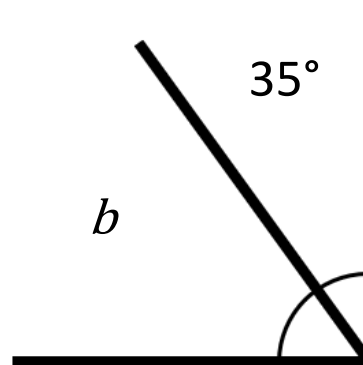
$$m = \underline{\hspace{2cm}}$$

5)



$$p = \underline{\hspace{2cm}}$$

6)



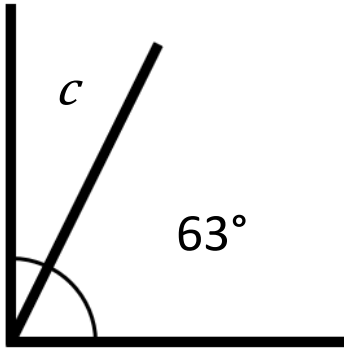
$$b = \underline{\hspace{2cm}}$$

Complementary Angles **Answers**

Complementary angles are two angles that add up to 90 degrees.

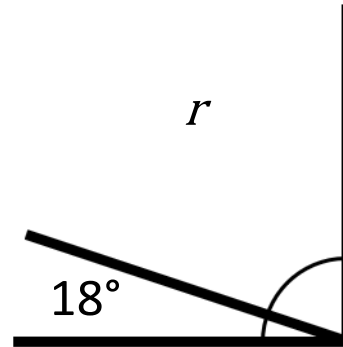
Work out the missing angle in each set of complementary angles.

1)



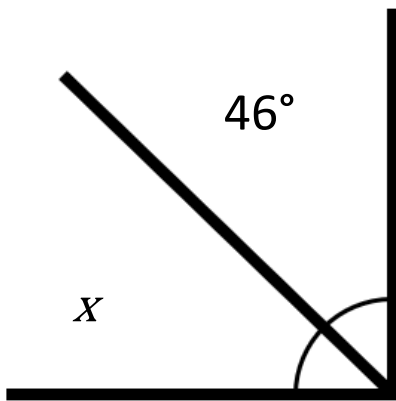
$$c = 27^\circ$$

2)



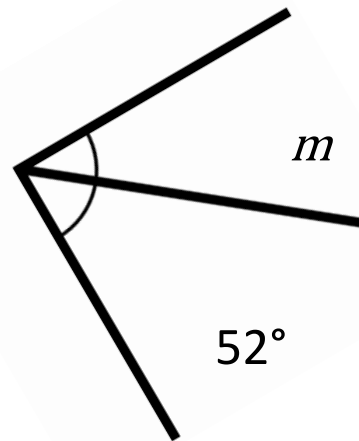
$$r = 72^\circ$$

3)



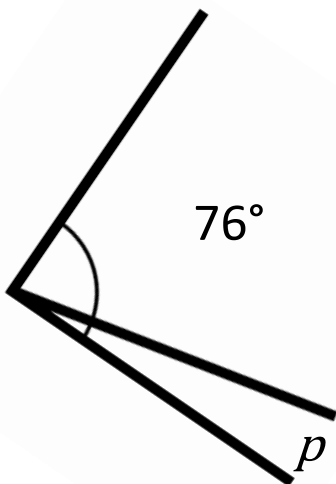
$$x = 44^\circ$$

4)



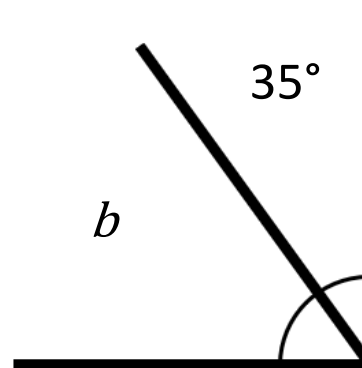
$$m = 38^\circ$$

5)



$$p = 14^\circ$$

6)



$$b = 55^\circ$$