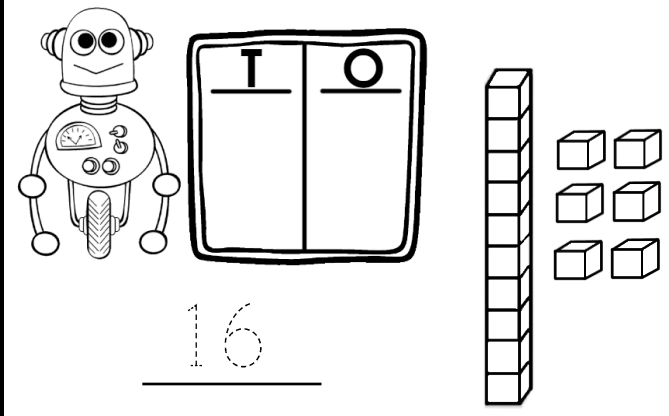


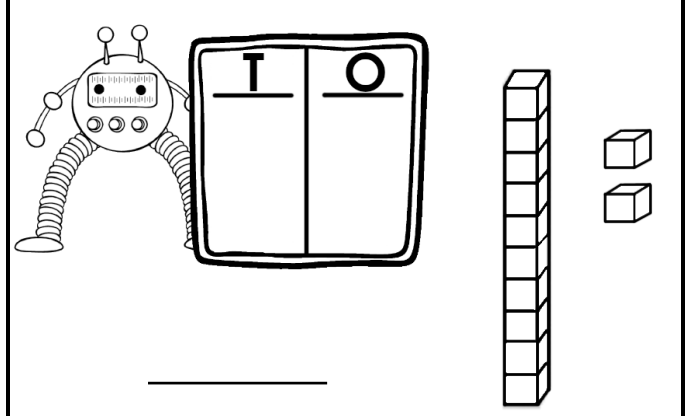
Robot Place Value!

Teen Numbers

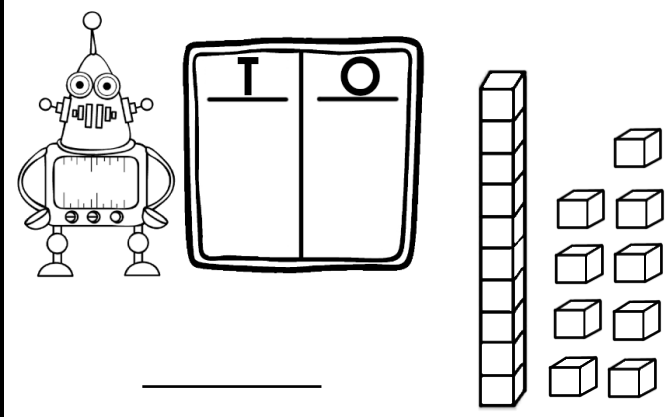


A robot is shown next to a place value chart with 'T' and 'O' columns. To the right is a ten rod and six ones cubes. Below the chart is a blank line for the number.

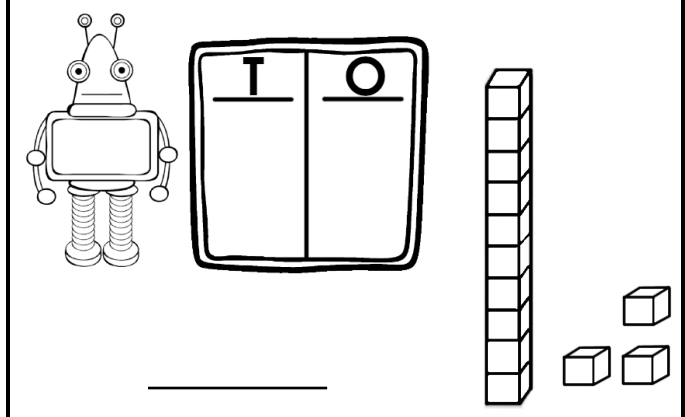
16



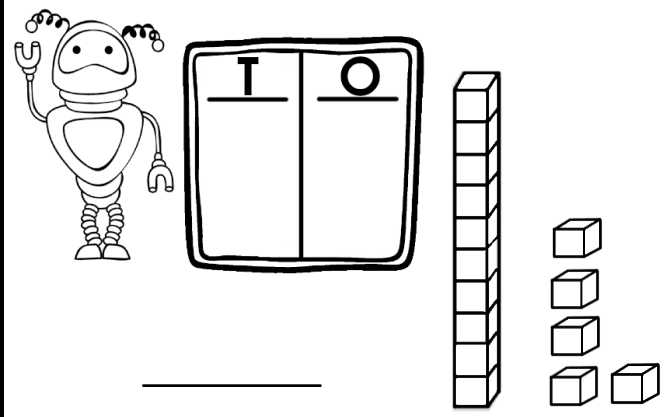
A robot is shown next to a place value chart with 'T' and 'O' columns. To the right is a ten rod and two ones cubes. Below the chart is a blank line for the number.



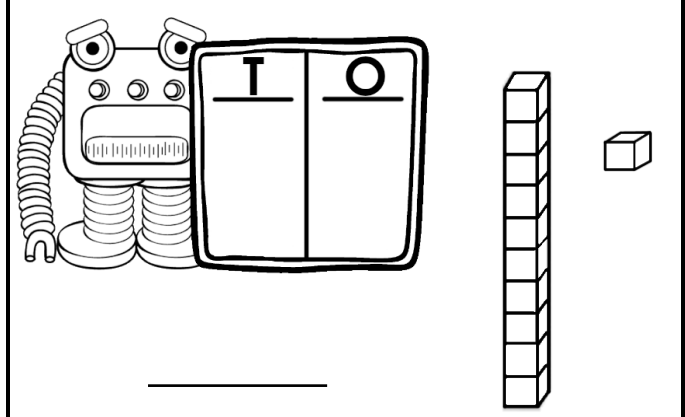
A robot is shown next to a place value chart with 'T' and 'O' columns. To the right is a ten rod and eight ones cubes. Below the chart is a blank line for the number.



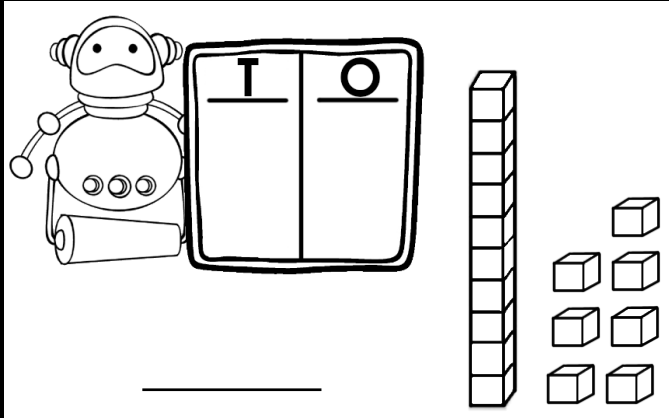
A robot is shown next to a place value chart with 'T' and 'O' columns. To the right is a ten rod and three ones cubes. Below the chart is a blank line for the number.



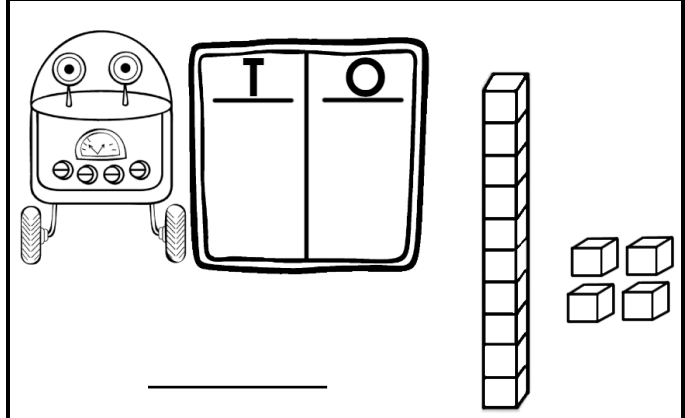
A robot is shown next to a place value chart with 'T' and 'O' columns. To the right is a ten rod and five ones cubes. Below the chart is a blank line for the number.



A robot is shown next to a place value chart with 'T' and 'O' columns. To the right is a ten rod and one one cube. Below the chart is a blank line for the number.



A robot is shown next to a place value chart with 'T' and 'O' columns. To the right is a ten rod and seven ones cubes. Below the chart is a blank line for the number.



A robot is shown next to a place value chart with 'T' and 'O' columns. To the right is a ten rod and four ones cubes. Below the chart is a blank line for the number.